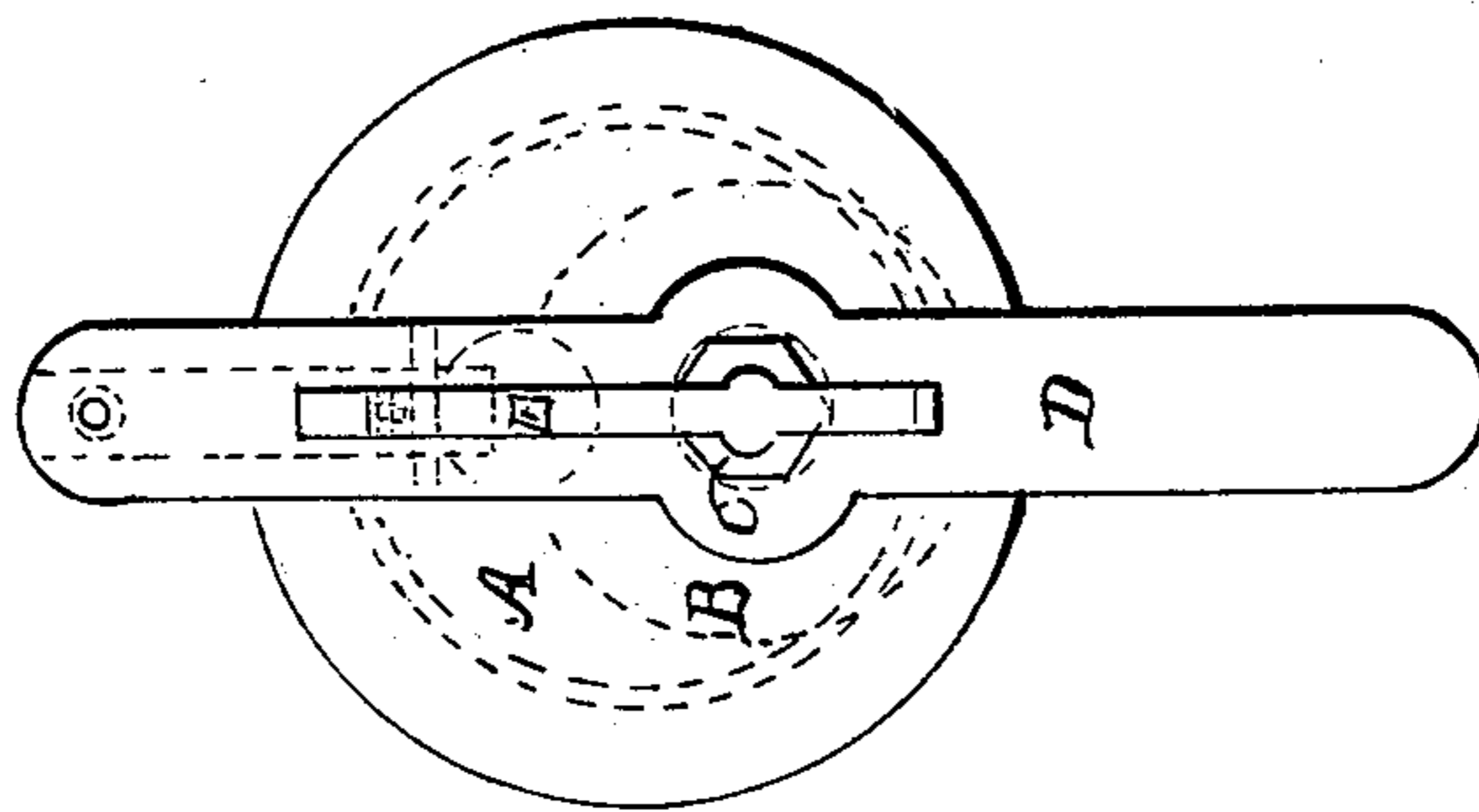
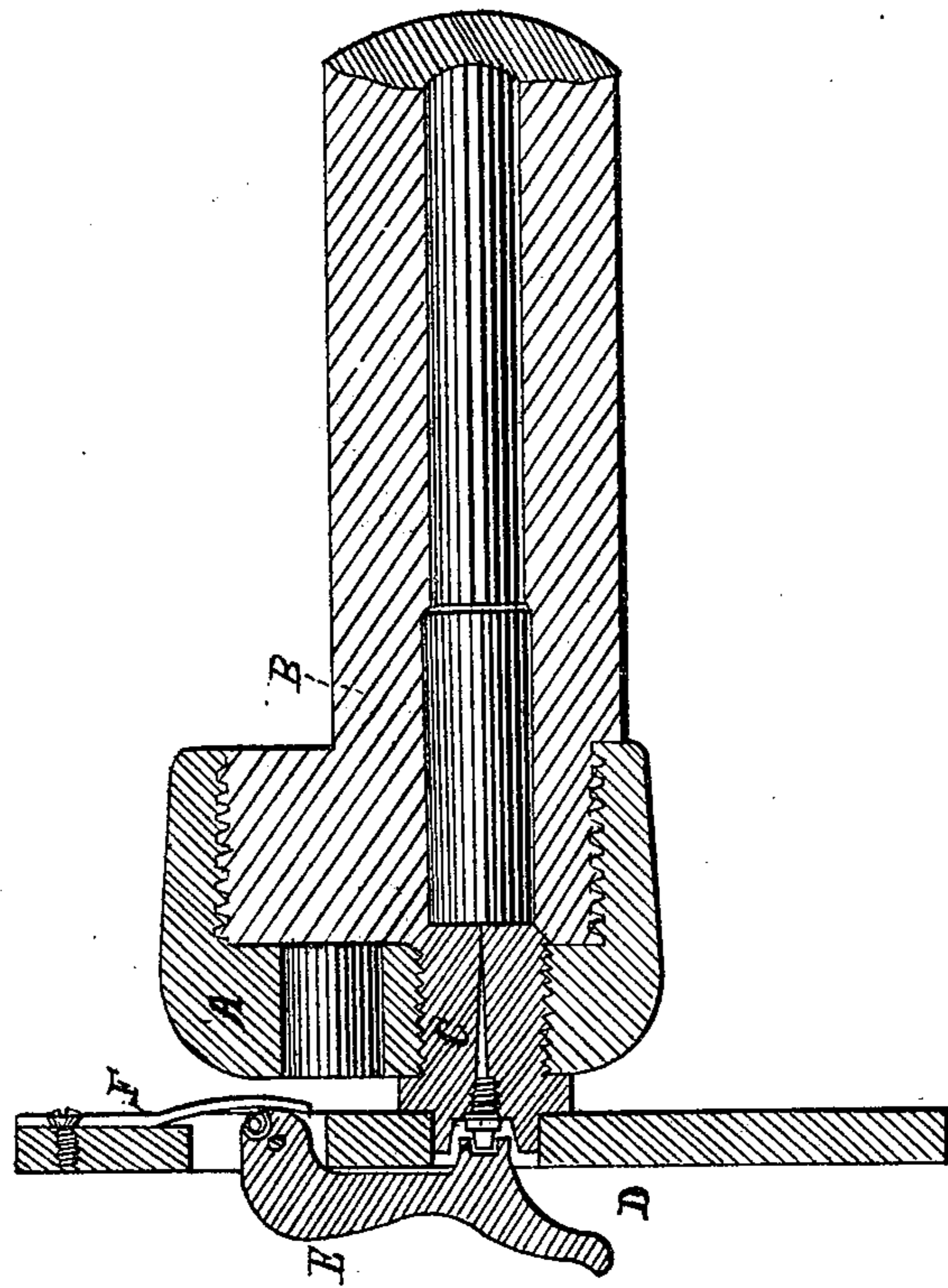


G. SMITH.  
Breech-Loading Fire-Arm.

No. 14,001.

Patented Dec. 25, 1855.



# UNITED STATES PATENT OFFICE.

GILBERT SMITH, OF BUTTERMILK FALLS, NEW YORK.

## IMPROVEMENT IN BREECH-LOADING FIRE-ARMS.

Specification forming part of Letters Patent No. **14,001**, dated December 25, 1855.

*To all whom it may concern:*

Be it known that I, GILBERT SMITH, of Buttermilk Falls, Orange county, and State of New York, have invented a new and Improved Mode of Loading Guns at the Breech; and I do hereby declare that the following is a full and exact description thereof, reference being had to the accompanying drawing, and to the letters of reference marked thereon.

The nature of my invention consists in the opening-cap A being eccentric to the axis of the barrel, whereby opening in one position and closing in another, according as the aperture in the cap A is in position to either close or open the breech of the gun, said aperture being made to roll concentric with the barrel B, opening the same to receive the charge, the reverse motion combined with the traverse motion obtained by the screw on the inside of the cap, and exterior of the eccentric portion attached to the barrel B for closing the breech.

Since the date of my caveat filed on the 27th day of October, 1854, I have perfected and improved my invention, making it more applicable to large guns by the insertion of the screw-pin C into the head of the cap, thereby using in part the above-described motions for the purposes specified, and completing the

closing of the breech by the direct action of the screw-pin C being turned and forwarded into the seat as soon as the eccentric has thrown it direct over the axis of the barrel, and by the addition of stops on the outside of the cap I regulate the above movements.

I also show on the drawing the manner I have carried out my improvements. The handle D, for turning the pin C, is here made to carry the lock or hammer E, which strikes on the nipple inserted in the end of the pin C, when actuated by the spring F.

What I claim as my invention, and desire to secure by Letters Patent, is—

1. The eccentric and traverse motions combined for opening and closing apertures by means of a cap perforated eccentric to itself, as above described.

2. Closing the aperture by means of an inserted screw-pin being screwed forward direct from the cap when the eccentric throws it direct over the axis of aperture, as herein and above described.

GILBERT SMITH.

Witnesses:

JAMES S. DIACK,  
H. SKIDMORE.